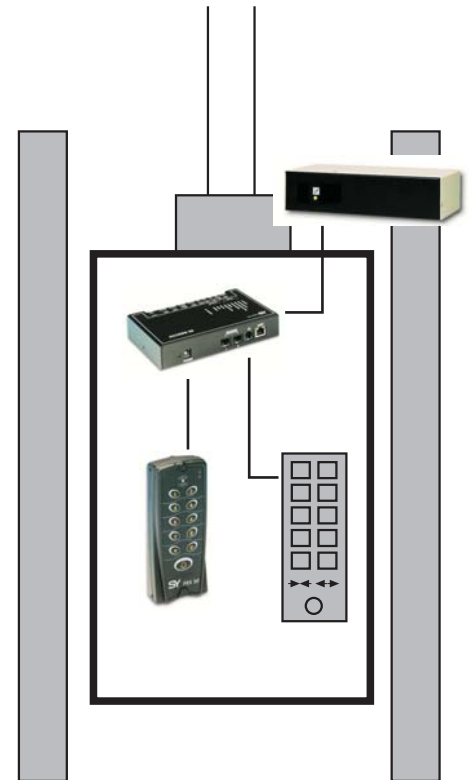
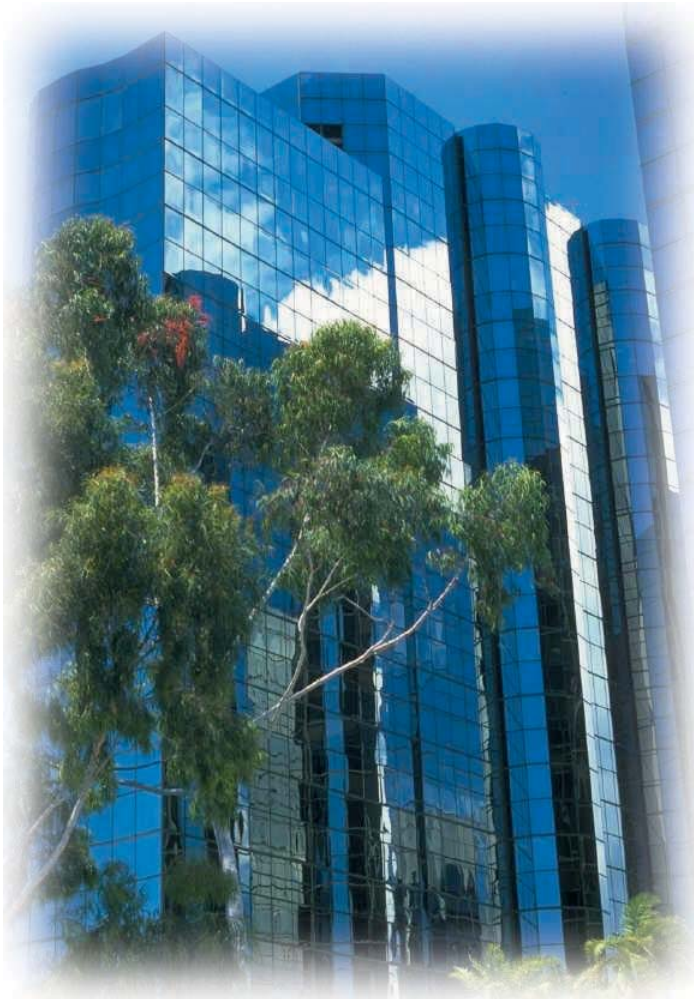


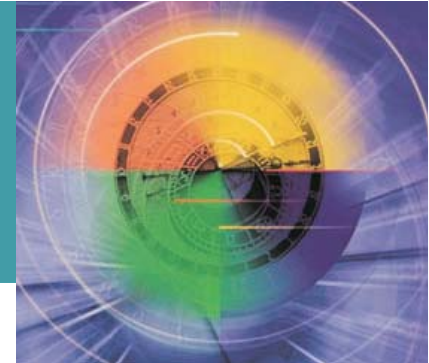
Elevator Security Solutions

Access Lift Terminal

- Activate your elevator using magnetic / barcode / proximity / smart card
- Access up to 28 floors
- Dedicated, user-friendly programming



Elevator Security Solutions



Security and Access Control All in One

Limit access to your building to authorized people only!

You may allow certain individuals to access all or certain floors, in all or certain buildings.

The hardware

- Master Control Unit
- Access lift controller
- I/O
- Readers

How does it work?

In the Falcon software each floor is defined as a virtual controller and access is given only to those floors the individual is authorized to enter. When the individual reaches the lift, he passes his badge, which is then transferred to the Master Control Unit, for validation versus the definitions done in the software, and a list of floors authorized for access is then received.

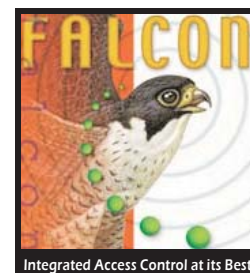
According to the answer, the controller activates the appropriate relays, and the individual can press the relevant floor button.

The software - Falcon

Falcon is a comprehensive access control and security management system, enabling control over staff, employees, visitors, security personnel and guards in small to medium organizations.

One of the major advantages of this system is its ability to integrate employees' attendance data, without the need to duplicate databases.

- Real-time data management system
- Increased safety and security for your organization
- Supports various identification readers: biometric, smart card, proximity, magnetic, barcode
- Easy to operate
- Integration with CCTV, intrusion and fire alarm systems
- Emergency access control

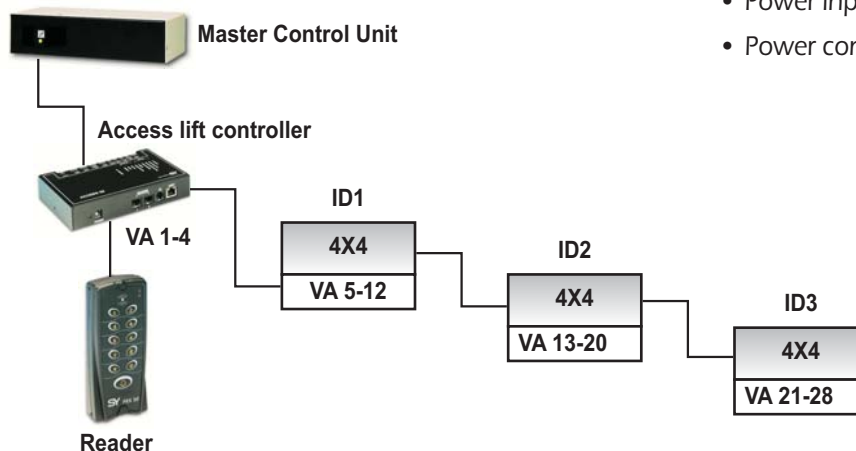


Characteristics

Access lift controller

- Maximum floor capacity: up to 28 floors
- Communication with Master Unit, RS-485
- Relay contact rating: 2 A@30 Vdc or 0.6 A @ 150 Vac

- Support 3 IXO card 8 - Output Virtual ID 4, 12, 20 or 28
- Separate valid list for each floor in case of offline
- Sufficient capacity for 1000 users
- Power input: 12 Vdc or 9 Vdc
- Power consumption: 5 watt



Synel Industries (UK) LTD

Transputec House, 19 Heather Park Drive,
Wembley, Middlesex HA0 1SS

Tel: 020 8900 9991 Fax: 020 8902 3595

Email: sales@synel.co.uk Website: www.synel.co.uk



Pictures in this brochure are for illustration purposes only.
The technical data sheet packed with the product is the
only obligatory source of technical information